

1  
RoHS Compliant

2

3

4

5

6

7

8

A

B

C

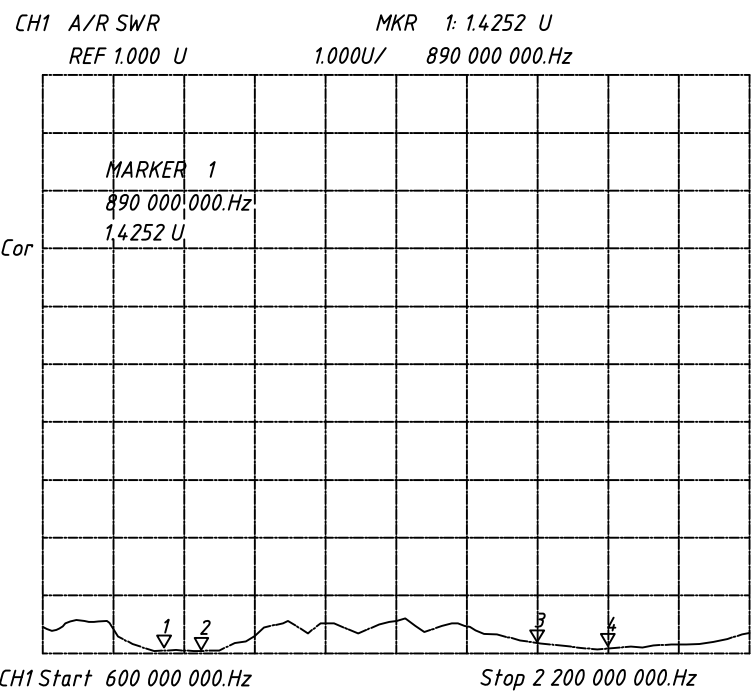
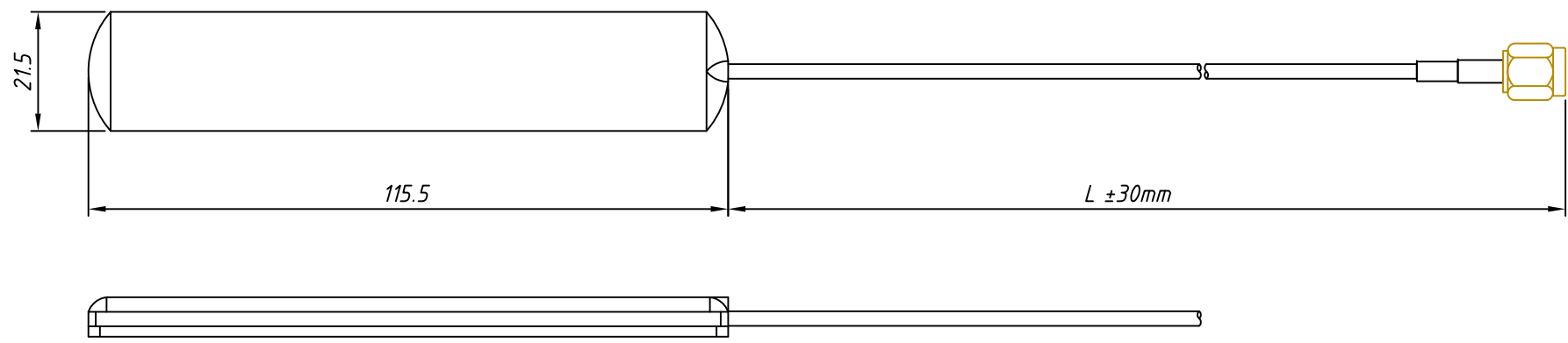
D

E

F

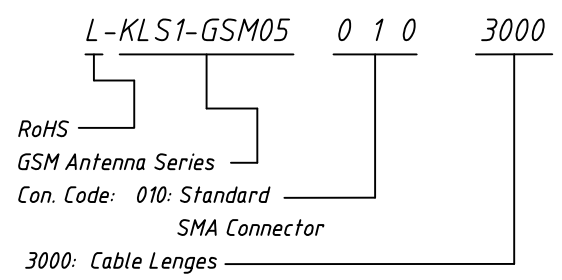
G

H



Specification:  
 Frequency : 890-960/1710-1880MHz  
 Band width : 70/170MHz  
 Gain : 3dBi  
 Vswr : 2.0 Max.  
 Impedance : 50 Ω  
 Polarization : Vertical  
 Radiation : OMNIDIRECTIONAL  
 Max power : 10W  
 Cable : RG174, Black  
 Connector : SMA Pin  
 Mounting Type: Adhesive Mount  
 Operating Temperature :  
 -30°C to +70°C

Order Information



		Description:	
		GSM Antenna	
PROJECTION		KLS P/N:	L-KLS1-GSM05XXXXXXXX
UNITS	mm		
SHEET SIZE	A4		
Draw:	Daniel 2019-07-29		NingBo KLS ELECTRONIC CO.,L TD.
Check:	Daniel 2019-07-29		

1 2 3 4 5 6 7 8